

Important Information


We recommend that luminaires are installed by a qualified electrician ensuring the installation complies with current IEE wiring regulations BS7671:2018 & local building control.

- All tests should be carried out in accordance to EN 50172:2004.
- BELL will not accept responsibility for any claims arising from a poor installation.
- Operating Temperature 0°C to +35°C.
- Do not cover with any insulation.

This product may contain substances that can be hazardous to the environment if not disposed of properly. Electrical and electronic equipment should never be disposed of with general household waste but must be separated for its correct treatment and recovery.

Where possible recycle your packaging.

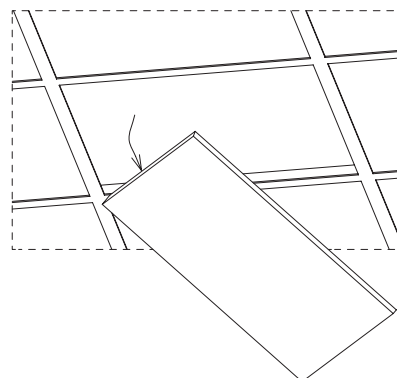


Read these instructions before installation and retain for future reference 

This equipment should be installed by a competent electrician

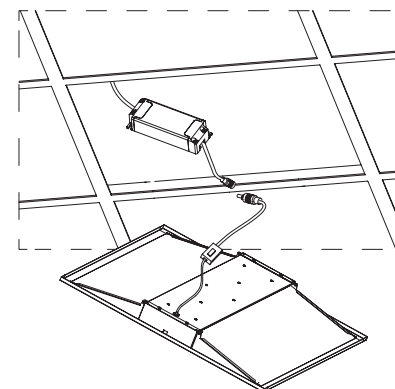
Installation Procedure

Step 1



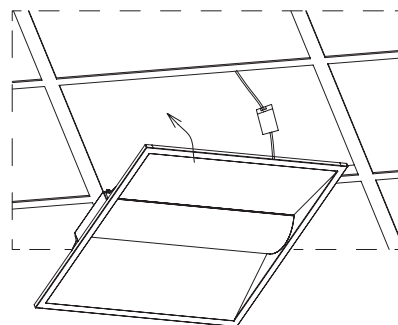
Remove ceiling plaster slab.

Step 2



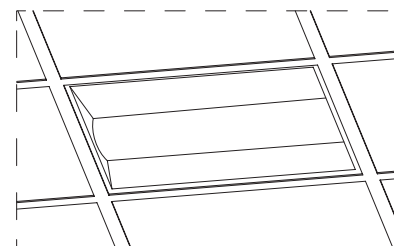
Connect power supply.

Step 3



Fix the LED troffer into right place.

Step 4



Stabilize LED troffer.

Technical Helpline +44 (0)1924 893380

www.bellighting.co.uk

British Electric Lamps Ltd
Unit A Foxbridge Way, Normanton Industrial Estate
Normanton, West Yorkshire. WF6 1TN

T: +44 (0)1924 893380 F: +44 (0)1924 894320 E: sales@bellighting.co.uk

www.bellighting.co.uk